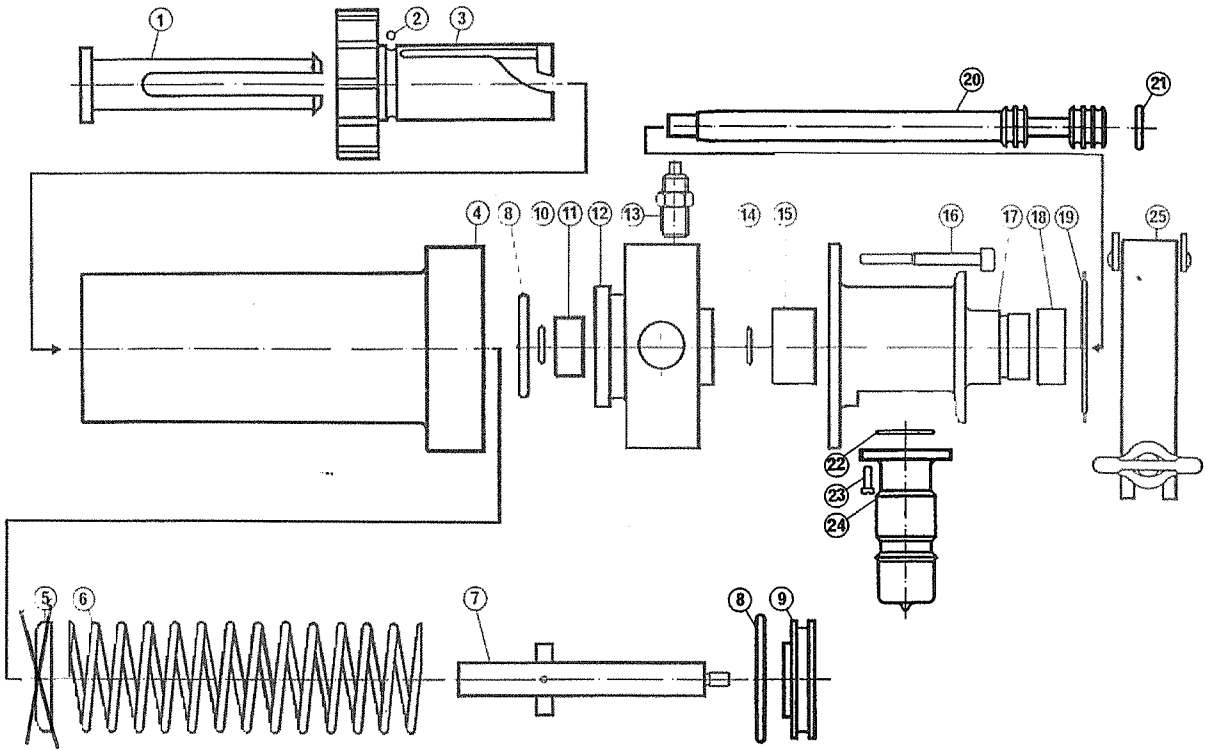


Sample Valve Type K34-2100



	9501
Intro.	8301
K34-2100	491 617

Sample Valve
Type K34-2100

Pos.	Qty	Denomination	K34-2100	K34-2110	K34-2120
			Code No.	Code No.	Code No.
1	1	Bushing	K3751002	K3751002	K3751002
2	26	Bearing ball	K8870201	K8870201	K8870201
3	1	Selection knob	K3357101	K3357101	K3357101
4	1	Cylinder	K3535101	K3535101	K3535101
5	1	Spring cup (not req.)	K3000003	K3000003	K3000003
6	1	Spring	K8181101	K8181101	K8181101
7	1	Spindle	K2360030	K2360030	K2360030
8	▣ 2	O-ring	K8202168	K8202314	K8202314
9	1	Piston	K3351002	K3351002	K3351002
10	▣ 1	O-ring	K8201105	K8201105	K8201105
11	1	Bearing	K3312001	K3312001	K3312001
12	1	Steering body	K3353101	K3353101	K3353101
13	1	Air coupling	K8514111	K8514111	K8514111
14	▣ 1	O-ring, (FPM)	K8201105	K8201105	K8201105
15	1	Bearing	K3312002	K3312002	K3312002
16	4	Screw	K8001636	K8001636	K8001636
17	1	Valve body	K3355105	K3355105	K3355104
18	▣ 1	Gasket	K3312003	K3312003	K3312003
19	▣ 1	Clamp gasket	9611-99-0766	9611-99-0766	9611-99-0766
20	1	Plunger	K3771001	K3771002	K3771003
21	▣ 5	O-ring, (FPM)	K8201102	K8201102	K8201105
22	1	Gasket	K8290301	K8290301	K8290301
23	2	Screw	K8030627	K8030627	K8030627
24	1	Connector	K3551003	K3551003	K3551003
25	1	Clamp	9611-99-1508	9611-99-1508	9611-99-1508
		Service Kit	M34-210050	M34-211050	M34-212050

Parts marked with ▣ are included in the service kit

Recommended spare parts: Service kit



	9501
Intro.	8301
K34-2100	491 617